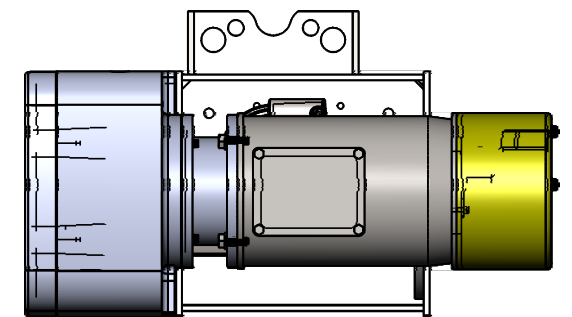
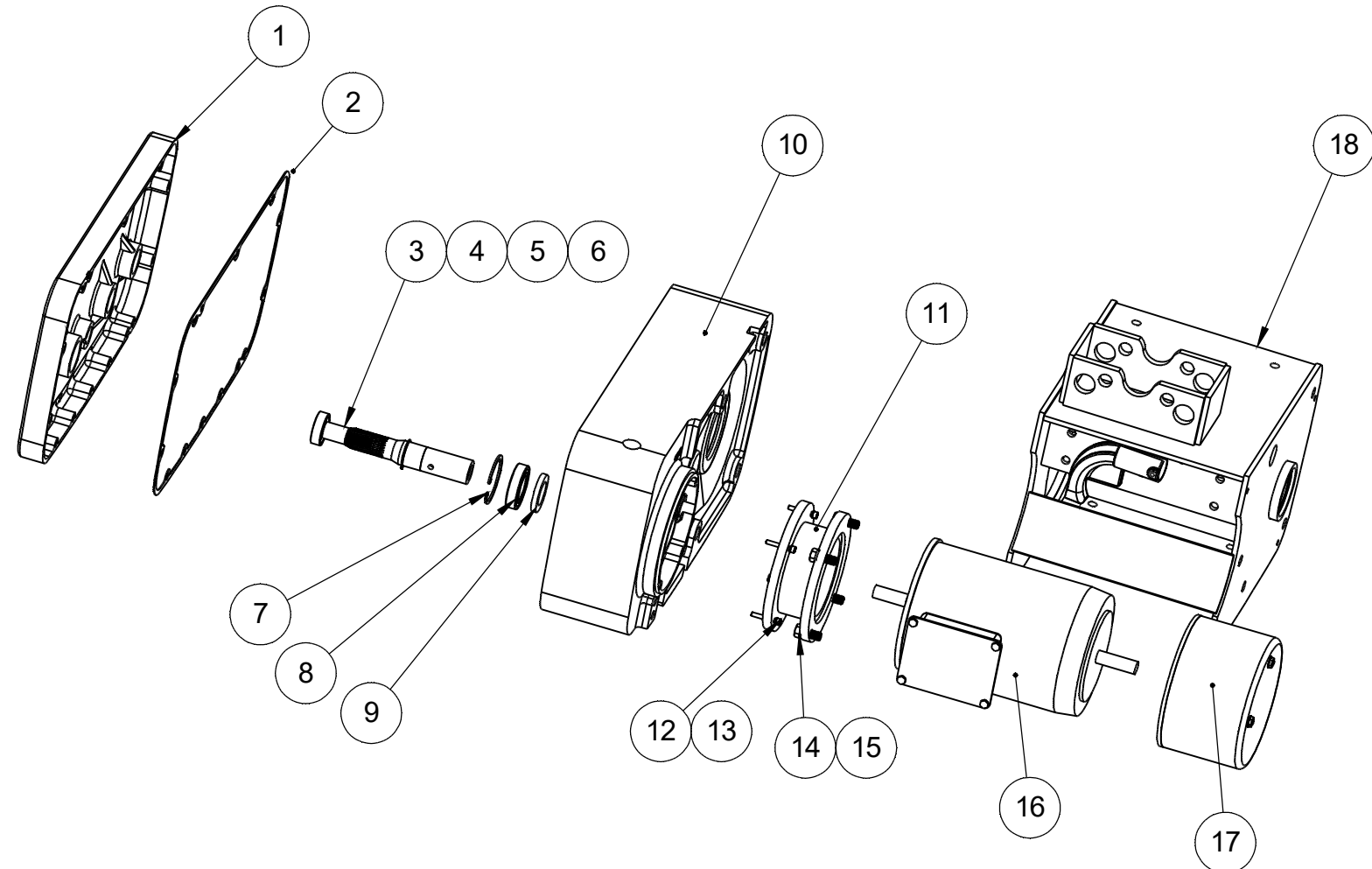


INSTALLATION PROCESS FOR TENV MOTOR

1. DRAIN GEARCASE.
2. REMOVE GEARCASE COVER AND GASKET, SET ASIDE.
3. REMOVE MOTOR BOLTS AND REMOVE MOTOR FROM GEARCASE.
4. INSTALL SHAFT SEAL (#9), BEARING (#8) AND RETAINING RING (#7) INTO GEARCASE.
5. INSTALL RETAINING RING (#4) ONTO PINION SHAFT (#3) AND SLIDE INTO BEARING (#8)
6. PLACE BEARING (#5) ONTO THE FRONT END END OF PINION SHAFT.
7. INSTALL GASKET, COVER AND COVER BOLTS.
8. INSTALL MOTOR ADAPTER ONTO BACK SIDE OF GEARCASE, SECURE WITH BOLTS & WASHERS (#12 & 13) .
9. INSTALL MOTOR SHAFT AND KEY INTO PINION SHAFT AN SECURE WITH BOLTS & WASHERS (#14 & 15

ITEM NO.	PART NUMBER	DESCRIPTION	QUANTITY
1	42248118	GEARCASE COVER	1
2	42248801	GEARCASE GASKET	1
3	32929201	PINION SHAFT	1
4	10119401	EXTERNAL RETAINING RING	1
5	NO1130	BEARING	1
6	10128203	3/16 X 3/16 X 1-1/4 MOTOR KEY	1
7	10008317	INTERNAL RETAINING RING	1
8	NO8607	BEARING	1
9	10376250	SHAFT SEAL	1
10	43917301	GEARCASE	1
11	43968502	MOTOR ADAPTER	1
12	10381035	#10 X 1-1/4 SHCS	4
13	10404510	#10 LOCK WASHER	4
14	10712404	3/8 X 1 HEX HEAD BOLT	4
15	NO1951	3/8 LOCK WASHER	4
16	331981-XX	HOIST MOTOR 2HP	1
17	450973-XX	HOIST MOTOR BRAKE	1
18	VARIES	HOIST 10-3/32" FRAME	1



NOTICE TO PERSONS RECEIVING THIS DRAWING AND/OR TECHNICAL INFORMATION
 Columbus McKinnon Corporation (CMCO) claims proprietary rights in the material disclosed hereon. This drawing and/or technical information is issued in confidence for engineering information only and may not be reproduced or used to manufacture anything shown or referred to hereon without direct permission from CMCO to the user. This drawing and/or technical information is loaned for mutual assistance and is subject to recall by CMCO at any time. This drawing and/or technical information is the property of CMCO.

Standard Dimensional Tolerances Unless Otherwise Specified		Dimensional Units INCH	
	0" to 60"	Over 60"	Third Angle Projection
.X	± .020	± .025	
.XX	± .010	± .015	
.XXX	± .005	± .010	
Ang	± 0°30'		± 0°30'

Columbus McKinnon Corporation
 Hoist & Rigging - Americas
 Getzville, NY USA
 COLUMBUS MCKINNON CORPORATION

Material:			Description:		
Standard:			ASSEMBLY DIAGRAM		
Material No:			800 SHORT FRAME 2HP		
Modeled:	10/09/2023	SOH	Format	Number:	
Drawn:	10/09/2023	SOH	B	192103192	
Approved:	10/09/2023	SOH	Sheet	1/1	
Design Authority:	Muskegon				
Original project:	Muskegon				
Original scale:	1:8				

153560	AA	RELEASE REVISION AA	10/9/2023	SOH
-	-	-	-	-
-	-	-	-	-
ECN	Rev.	Description of change	Date	By