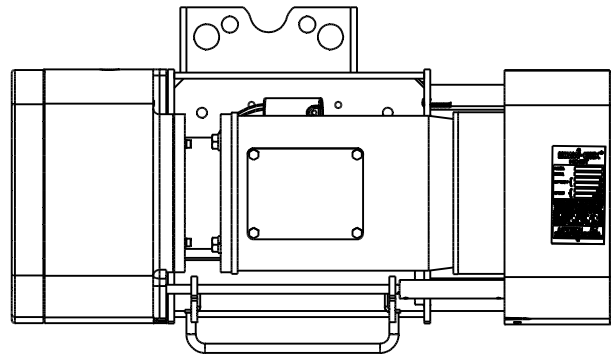


Columbus McKinnon Corporation
Getzville, NY USA



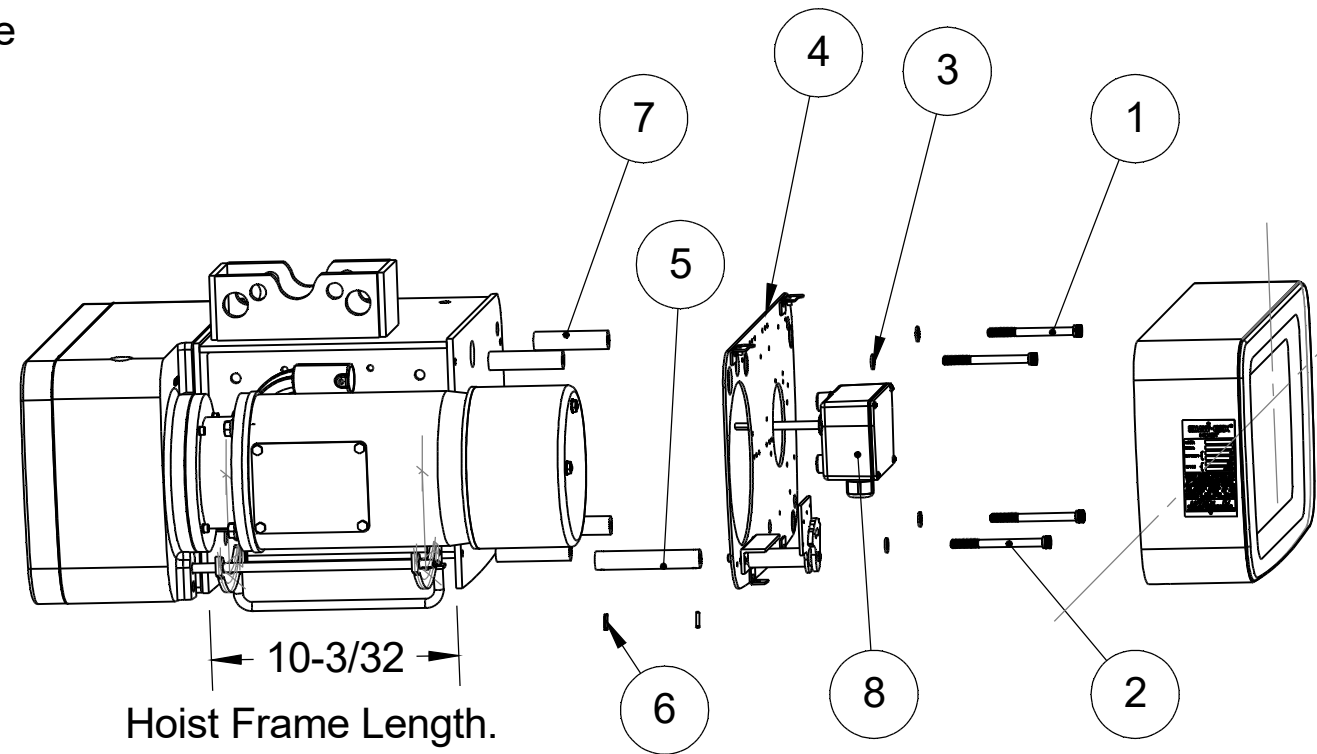
ITEM NO.	PART NUMBER	DESCRIPTION	QUANTITY
1	CNO8588	5/16-18 X 3-1/2 SHCS	3
2	CNO9641	5/16-18 X 3-3/4 SHCS	1
3	NO8526	5/16 LOCKWASHER	4
4	VARIES	CONTROL BASEPLATE	1
5	C11623102	LIMIT SWITCH COUPLING	1
6	10171625	1/8 X 3/4 ROLL PIN	2
7	192101137	PANEL STANDOFFS	4
8	192103985	GLS W/ EXTENDED SHAFT	1

NOTES:

1. This kit is only required on hoists with 10-3/32" frame and in NEMA-1 applications.
2. This kit is not required for frames 17-1/8", 23-1/4" or 35-7/8" long, or NEMA-4/4X/7/9, applications.
3. For service parts, the baseplate (#4) refers to the customers existing control panel plate.

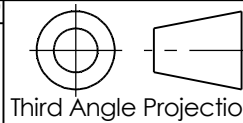
INSTRUCTIONS:

1. Remove control cover and set aside.
2. Remove roll pins from existing limit switch coupling (#5).
3. Remove 5/16 SHCS to release panel from frame.
4. Using parts (1), (2), (3), and (7), install standoffs between frame and control panel.
5. Before tightning all 4 panel bolts, Install block limit switch coupling and roll pins.
6. Tighten all panel bolts.
7. reinstall cover.



NOTICE TO PERSONS RECEIVING THIS DRAWING AND/OR TECHNICAL INFORMATION
 Columbus McKinnon Corporation (CMCO) claims proprietary rights in the material disclosed hereon. This drawing and/or technical information is issued in confidence for engineering information only and may not be reproduced or used to manufacture anything shown or referred to hereon without direct permission from CMCO to the user. This drawing and/or technical information is loaned for mutual assistance and is subject to recall by CMCO at any time. This drawing and/or technical information is the property of CMCO.

Standard Dimensional Tolerances Unless Otherwise Specified		Dimensional Units INCH
	0" to 60"	Over 60"
.X	± .020	± .025
.XX	± .010	± .015
.XXX	± .005	± .010
Ang	± 0°30'	± 0°30'



Columbus McKinnon Corporation
Hoist & Rigging - Americas
Getzville, NY USA

Material:		
Standard:		
Material No:		
Modeled:	10/10/2023	SOH
Drawn:	10/10/2023	SOH
Approved:	10/10/2023	SOH
Design Authority:	Muskegon	
Original project:	Muskegon	
Original scale:	1:32	

Description:	
ASSEMBLY DIAGRAM CP 800 SHORT FRAME, NEMA-1	
Format	Number:
A	192103191
Sheet	
1 / 1	

ECN	Rev.	Description of change	Date	By
153560	AA	INITIAL RELEASE	10/12/2023	SOH
-	-	-	-	-
-	-	-	-	-